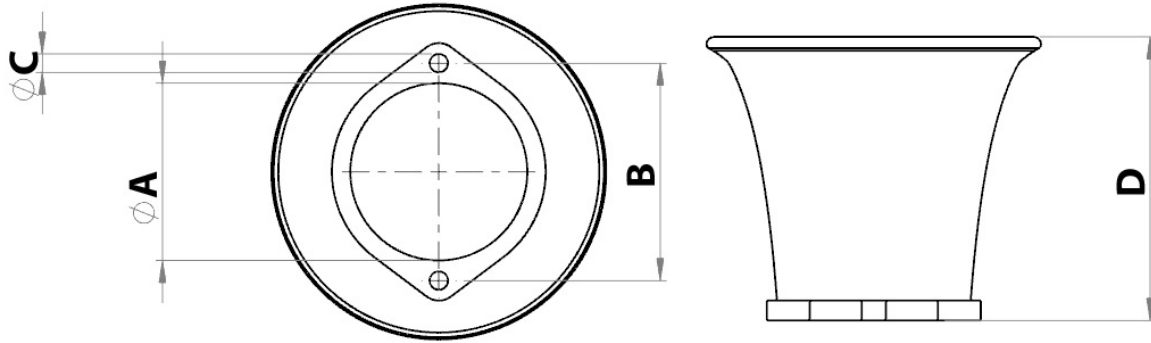


Velocity Stack Request

Please fill in the blank dimensions to enable us to quote, design and print your Velocity Stacks.



Size 1:

A: _____ mm
 B: _____ mm
 C: _____ mm
 D: _____ mm
 QTY: _____ pcs

Name: _____

Business: _____

E-Mail: _____

Size 2:

A: _____ mm
 B: _____ mm
 C: _____ mm
 D: _____ mm
 QTY: _____ pcs

Phone Number: _____

Size 3:

A: _____ mm
 B: _____ mm
 C: _____ mm
 D: _____ mm
 QTY: _____ pcs